

This C-Mount lens with 19.3 mm image circle and 400-1000 nm broadband AR coating is designed for 24.5 M / 2.74 μm pixel Sony's 4th Gen Pregius S™ technology and similar sensors. The anti-shading design prevents shading caused by micro lenses and results in a very even light distribution. A robust metal housing ensures a stable image position even under harsh environmental conditions.

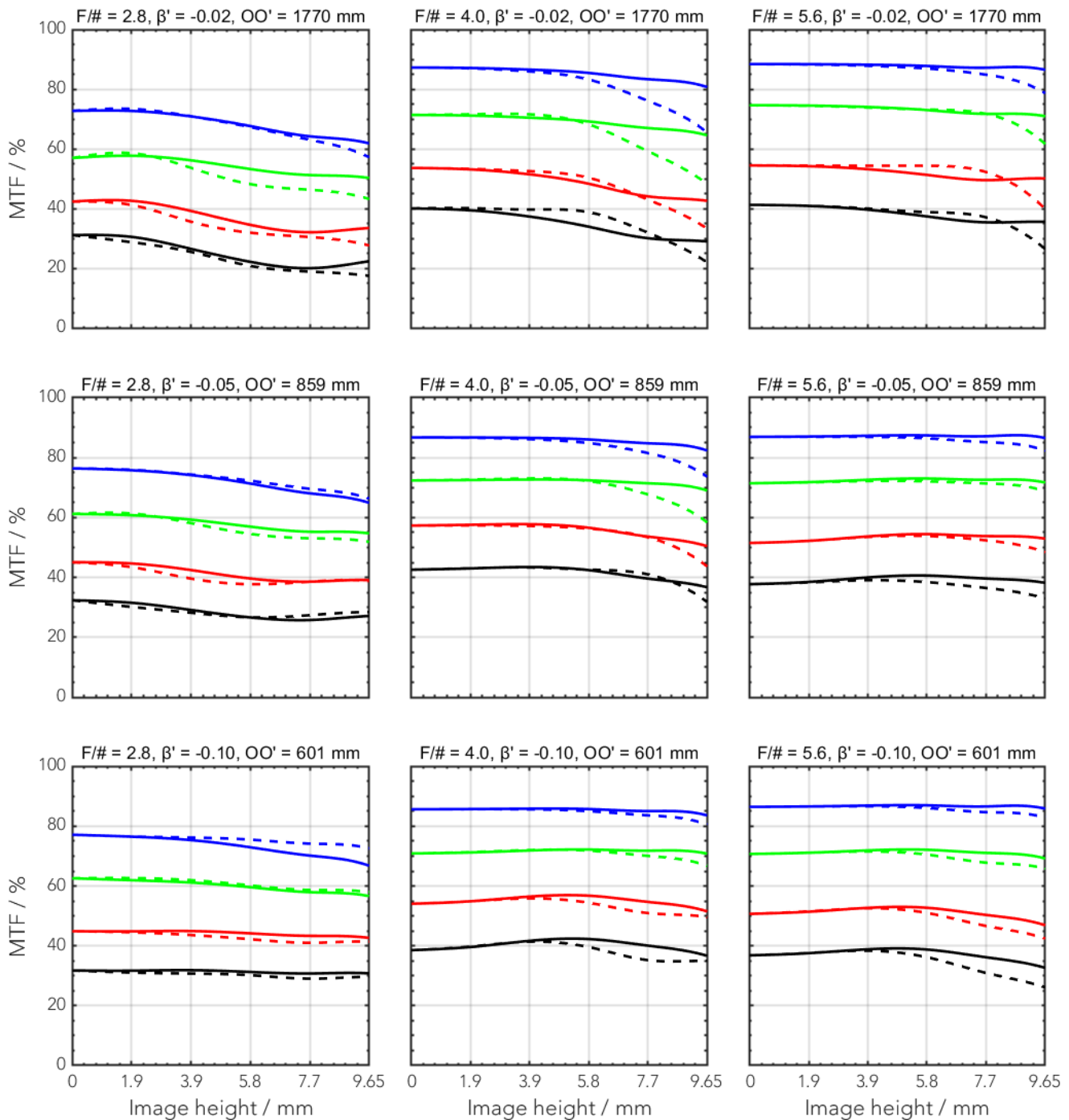
Pregius and Pregius S are trademarks of Sony Corporation

Key features	Applications
<ul style="list-style-type: none"> • 1.2" C-Mount compact lens • For pixel size down to 2.4 μm • Suitable for all Sony's Pregius™ generations • For visible and near IR illumination 	<ul style="list-style-type: none"> • Machine Vision • AOI (Automated Optical Inspection) • 3D and 2D measurement • Robotic Vision

Technical specifications	
Type [standard]	C
ID [standard]	1098905
Interface	C-Mount
Focal length [mm]	50
F/# range	F/2.8 ... F/22
Numerical aperture [object image]	- 0.17
Max. sensor size [mm]	19.3
Max. angle of view [°]	22
Rec. magnification range	-0.2 ... 0
Rec. working distance range [mm]	270 ... ∞
Min. working distance without extension tubes [mm]	240
Filter thread [mm]	M30.5 x 0.5
Storage temperature [°C]	-25 ... +70
Net. weight [standard] [g]	169
Additional info	Max. chief ray angle in image space = 9.6°
f'eff [mm]	50.40
SF [mm]	-24.06
S'F' [mm]	28.24
HH' [mm]	-8.11
β 'P	0.95
SEP [mm]	28.90
S'AP [mm]	-19.73
Σd [mm]	40.39

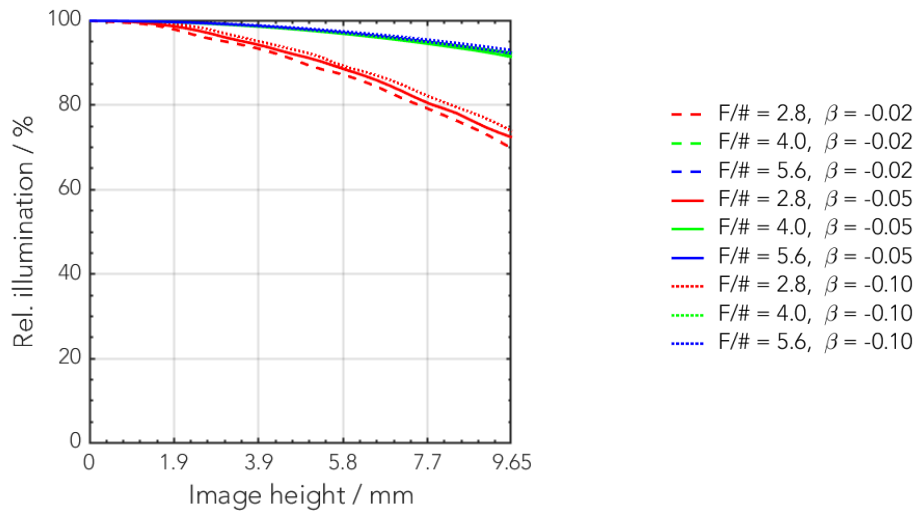
MTF charts

Spectrum name	VIS					
Wavelengths [nm]	425	475	525	575	625	675
Rel. weights [%]	8	16	23	22	19	13

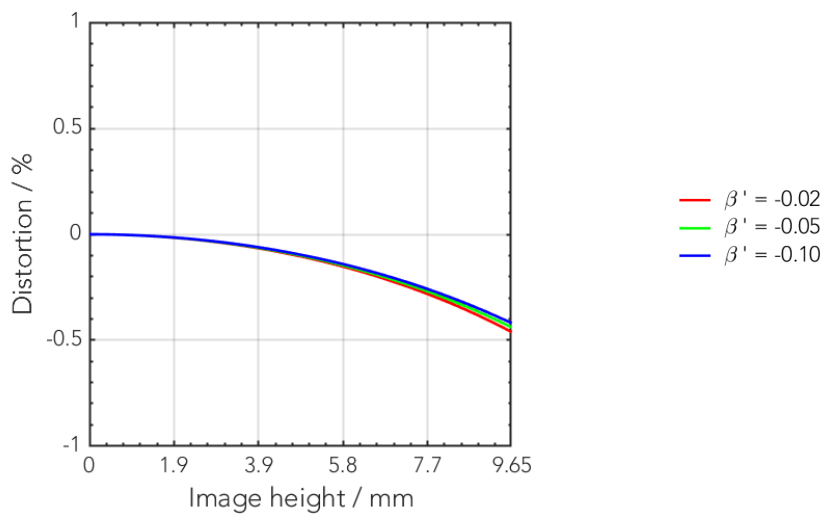


— 20 LP/mm, radial
 — 40 LP/mm, radial
 — 80 LP/mm, radial
 — 120 LP/mm, radial
- - - 20 LP/mm, tangential
 - - - 40 LP/mm, tangential
 - - - 80 LP/mm, tangential
 - - - 120 LP/mm, tangential

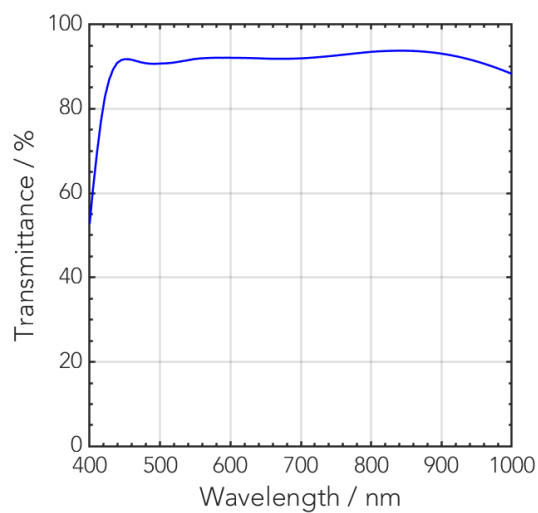
Rel. illumination vs. image height

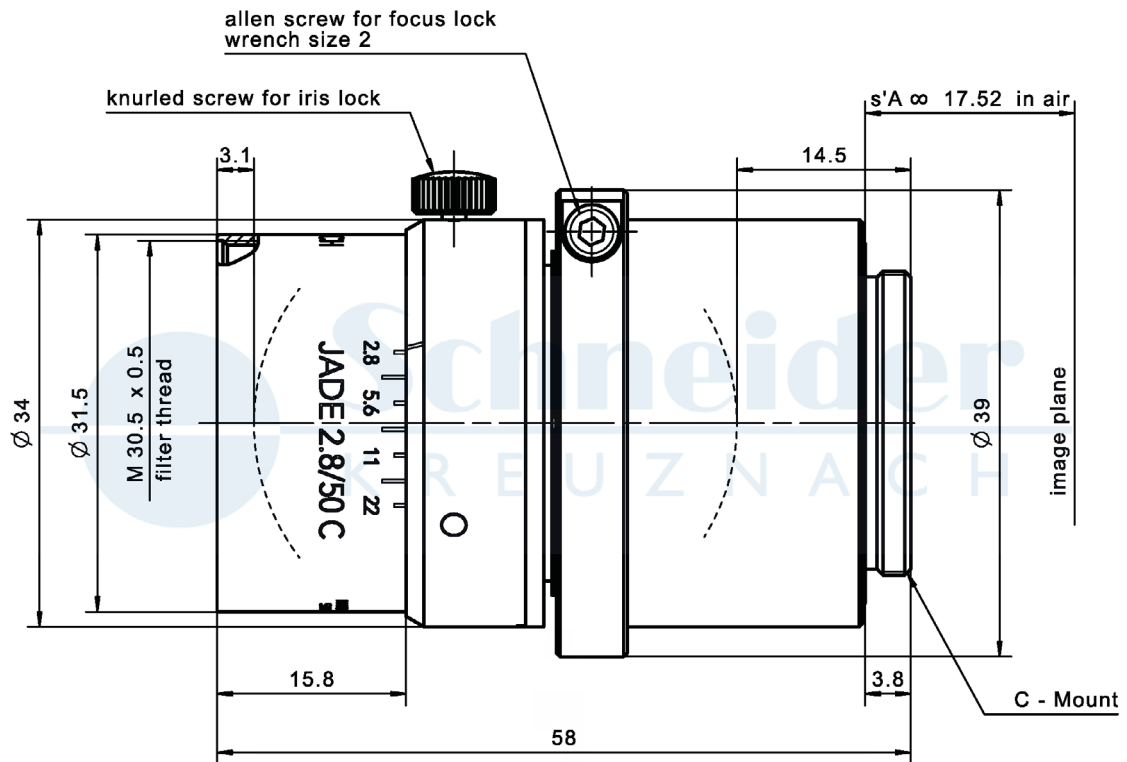


Distortion vs. image height



Transmittance vs. wavelength





Accessories	Mount	Eff. length	ID
Adapter	CS-Mount	5 mm	25081
	C-Mount / M42 x 1	5.5 mm	1075817
Extension tube	C-Mount / C-Mount	5 mm	39316
	C-Mount / C-Mount	8 mm	39315
	C-Mount / C-Mount	10 mm	39312

Annotation	
Focal length	Nominal focal length
F/# range	Image space F-number range for infinity focus position
Numerical aperture	Maximum real numerical aperture (depending on recommended magnification range either for infinity or respective fixed magnification)
Max. sensor size	Image circle diameter
Max. angle of view	Angle of view associated with maximum sensor size (depending on recommended magnification range either for infinity or respective fixed magnification)
Rec. magnification range	Magnification range as recommended by Schneider-Kreuznach
Rec. working distance range	Working distance, i.e. distance between object and first mechanical element, associated with recommended magnification range
Max. mechanical focus travel	Maximum possible movement of the lens from infinity position (depending on recommended magnification range either for infinity or respective fixed magnification)
Net weight	weight of unpacked lens without lens cap
f'_{eff}	Effective focal length
SF	Distance between vertex of first lens surface and object space focal point
S'F'	Distance between vertex of last lens surface and image space focal point (back focal distance at infinity)
HH'	Distance between principal planes
$\beta'P$	Pupil magnification (= exit pupil diameter / entrance pupil diameter)
SEP	Distance between vertex of first lens surface and entrance pupil
S'AP	Distance between vertex of last lens surface and exit pupil
Σd	Distance between vertices of first and last lens surface
s'A	Flange focal distance (in air) for infinite object distance (depending on recommended magnification range either for infinity or respective fixed magnification)
β'	Magnification (= image size / object size), negative value because image is inverted
OO'	Distance between object and image

Unless otherwise stated all dimensions in this data sheet are in mm.